

PART NUMBER

SSR-701-40



BEFORE YOU BEGIN

PRIMARY APPLICATIONS

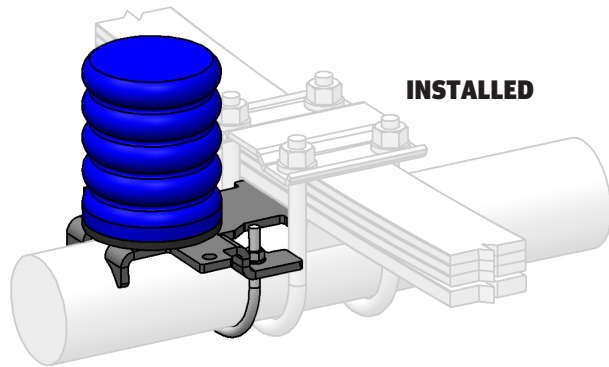
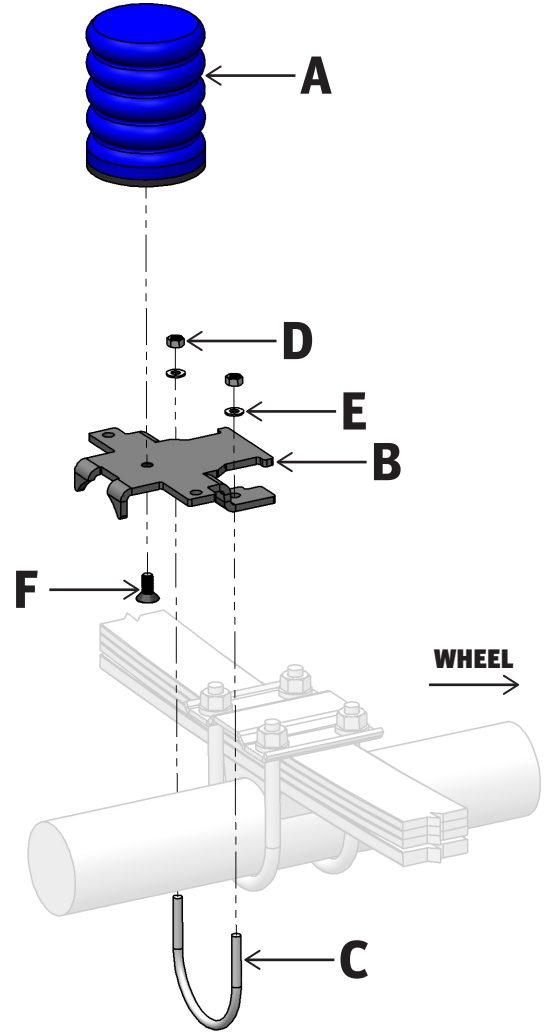
- > Volkswagen Amarok 4 X 2 (2015 - 2020)
- > Volkswagen Amarok 4 X 4 (2015 - 2020)

TOOLS REQUIRED

- > Floor Jack
- > Jack Stands
- > Wheel Chocks
- > ½" Wrench/Socket
- > 7/32" Allen Wrench

PARTS LIST

Item	Part #	Description	QTY
A	511440-38	SumoSprings Blue -40	2
B	522054	Mounting Bracket	2
C	522201	5/16 U Bolt	2
D	112241	5/16 Top Lock Nut	4
E	512244	5/16 Flat Washer	4
F	512245	3/8-16 x 7/8" FHCS	2



DRIVER SIDE (PASSENGER SIDE SIMILAR)

Part Number: SSR-701-40

Product Line: SUMOSPRINGS REAR

Page 1

Questions or Concerns?

Scan here:



or visit:
superspringsinternational.com

SAFETY NOTICE: We recommend installation be done by a professional or persons with sound mechanical knowledge.

WARNING: These instructions are a general guide for installation. SuperSprings International (SSI) assumes no liability for the actual installation process. Consumers and installers should apply common automotive safety practices when raising and working on any vehicle. **Do not put yourself in a position where, if the vehicle were to move unexpectedly, you may be injured.** SSI's products are designed to improve vehicle ride quality. Do not load any vehicle beyond the manufacturer's specifications.

Never exceed the manufacturer's Gross Vehicle Rating (GVWR) located on your vehicles identification tag.

BEFORE INSTALLATION: Ensure the vehicle is on a hard level surface, the parking brake is ON, with the ignition OFF, and place chocks in front of and behind the tires to prevent the vehicle from moving.

DURING AND/OR AFTER INSTALLATION: Ensure emergency brake cables are not touching the SSI products. Secure any cables out of the way with zip ties or by re-routing. Ensure all A/C lines, brake cables, and frame are clear of contact or interference.

REV. 2.01 | SEP 2023

PART NUMBER

SSR-701-40



INSTALLATION

1. Park the vehicle on a hard, level surface and engage the emergency brake. Place chocks in front and behind wheels to prevent rolling. Observe all safety precautions and wear safety glasses.
2. Raise the front of the vehicle to allow the suspension to hang freely and support the frame using safety jack stands. Removal of the front wheel is optional.
3. Remove existing bump stop from the underside of the chassis and set aside. To remove pull firmly and rotate out of the holder bracket.
4. Attach the Mounting Bracket [ITEM B] to the underside of the SumoSprings [ITEM A] using the 3/8-16 x 7/8" FHCS [ITEM F].
5. Place the assembly on the axle with the outside edge of the Mounting Bracket [ITEM B] against the spring-pack, between the factory u-bolts. Attach the Mounting Bracket [ITEM B] to the axle using the 5/16 U-Bolt [ITEM C], the 5/16 Top Lock Nut [ITEM D] & the 5/16 Flat Washers [ITEM E].
6. Tighten the nuts securely, but be sure not to over-tighten/bend the u-bolts or the bracket.
7. Repeat steps 3 through 6 on other side.
8. Raise the vehicle, remove safety jack stands, and carefully lower vehicle to the hard surface. Remove the chocks in front and back of the rear wheels.
9. Register the warranty for your SuperSprings International part. A warranty card can be found in the box your part came in.

Part Number: SSR-701-40

Product Line: SUMOSPRINGS REAR

Page 2

Questions or Concerns?

Scan here:



or visit:
superspringsinternational.com

SAFETY NOTICE: We recommend installation be done by a professional or persons with sound mechanical knowledge.

WARNING: These instructions are a general guide for installation. SuperSprings International (SSI) assumes no liability for the actual installation process. Consumers and installers should apply common automotive safety practices when raising and working on any vehicle. **Do not put yourself in a position where, if the vehicle were to move unexpectedly, you may be injured.** SSI's products are designed to improve vehicle ride quality. Do not load any vehicle beyond the manufacturer's specifications.

Never exceed the manufacturer's Gross Vehicle Rating (GVWR) located on your vehicles identification tag.

BEFORE INSTALLATION: Ensure the vehicle is on a hard level surface, the parking brake is ON, with the ignition OFF, and place chocks in front of and behind the tires to prevent the vehicle from moving.

DURING AND/OR AFTER INSTALLATION: Ensure emergency brake cables are not touching the SSI products. Secure any cables out of the way with zip ties or by re-routing. Ensure all A/C lines, brake cables, and frame are clear of contact or interference.

REV. 2.01 | SEP 2023