

PART NUMBER

SSR-634-40/47



SCAN HERE: To watch a video of this installation



BEFORE YOU BEGIN

PRIMARY APPLICATIONS

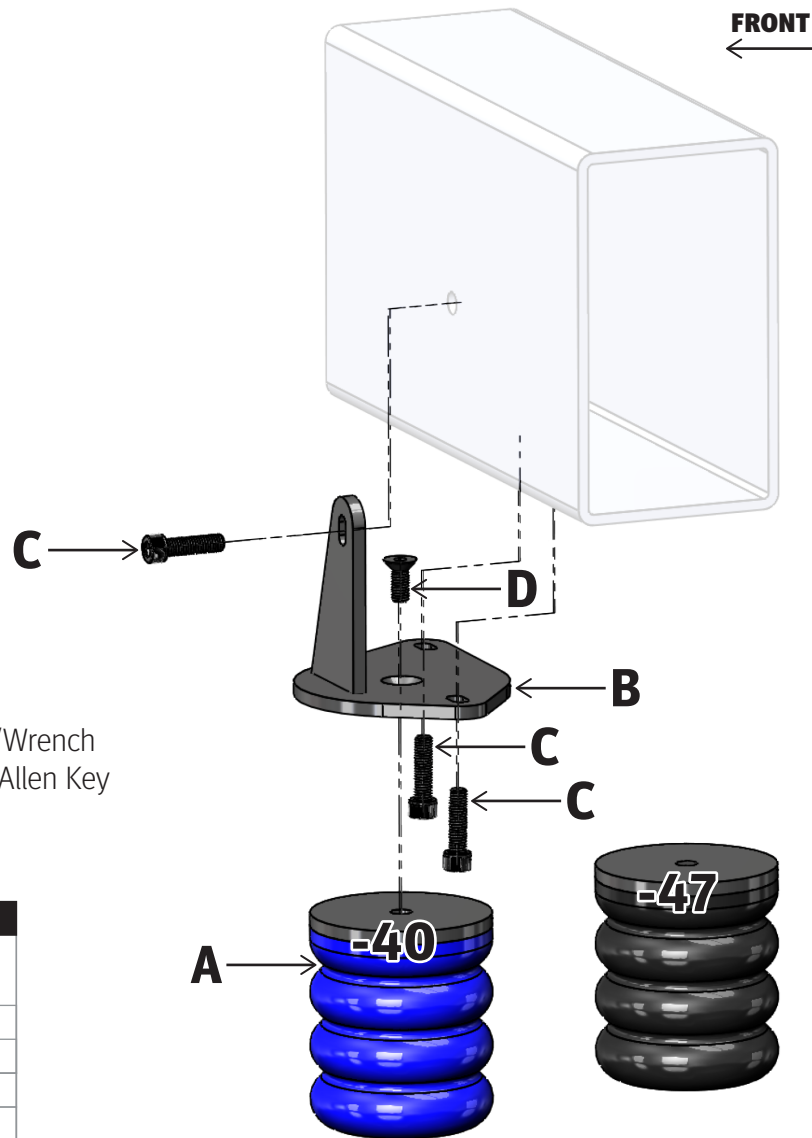
- > Toyota Tacoma 4x2 (2024 - present)
- > Toyota Tacoma 4x4 (2024 - present)
- > Toyota Sequoia 4x2 (2023 - present)
- > Toyota Sequoia 4x4 (2023 - present)
- > Toyota Land Cruiser 250 4x4 (2024 - present)
- > Toyota Land Cruiser 300 4x4 (2021 - present)
- > Lexus LX600 4x4 (2021 - present)

TOOLS REQUIRED

- > Floor Jack
- > Jack Stands
- > Wheel Chocks
- > Ratchet
- > 12mm Socket/Wrench
- > 5mm & 6mm Allen Key

PARTS LIST

Item	Part #	Description	QTY
A	511453	SumoSprings Blue -40	2
	511454	SumoSprings Black -47	
B	512194	Driver Side Mounting Bracket	1
	512195	Passenger Mounting Bracket	1
C	512389	M8-1.25 x 30mm Socket Head	6
D	512377	M8-1.25 x 20mm FHCS	2



DRIVER SIDE (PASSENGER SIDE SIMILAR)

Part Number: SSR-634-40/47

Product Line: SUMOSPRINGS REAR

Page 1

Questions or Concerns?

Scan here:



or visit:
superspringsinternational.com

SAFETY NOTICE: We recommend installation be done by a professional or persons with sound mechanical knowledge.

WARNING: These instructions are a general guide for installation. SuperSprings International (SSI) assumes no liability for the actual installation process. Consumers and installers should apply common automotive safety practices when raising and working on any vehicle. **Do not put yourself in a position where, if the vehicle were to move unexpectedly, you may be injured.** SSI's products are designed to improve vehicle ride quality. Do not load any vehicle beyond the manufacturer's specifications.

Never exceed the manufacturer's Gross Vehicle Rating (GVWR) located on your vehicles identification tag.

BEFORE INSTALLATION: Ensure the vehicle is on a hard level surface, the parking brake is ON, with the ignition OFF, and place chocks in front of and behind the tires to prevent the vehicle from moving.

DURING AND/OR AFTER INSTALLATION: Ensure emergency brake cables are not touching the SSI products. Secure any cables out of the way with zip ties or by re-routing. Ensure all A/C lines, brake cables, and frame are clear of contact or interference.

REV. 1.01 | MAR 2025

PART NUMBER

SSR-634-40/47



INSTALLATION

1. Park the vehicle on a hard, level surface and engage the emergency brake. Place chocks in front and behind front wheels to prevent rolling. Observe all safety precautions and wear safety glasses.
2. Raise the rear of the vehicle allowing the axle to hang freely and rest the frame on the safety jack stands rated for the weight of the vehicle. Removal of the rear wheels is optional.
3. Starting on the driver side, unscrew the bolts on the factory bump stop bracket and remove it from the underside of the frame.

NOTE: Be sure to apply a drop of Blue Thread Locker to all bolts before installation.

4. Using a 5mm Allen Key, attach the Mounting Bracket [ITEM B] to the top of the SumoSPring [ITEM A] with a M8-1.25 x 20mm Flat Head Cap Screw [ITEM D].

NOTE: Mounting Bracket [ITEM B] is side specific; 512194 is for the driver side, 512195 is for passenger side.

5. Using a 6mm Allen Key loosely thread an M8-1.25 X 30mm Socket Head bolt [ITEM C] through the upper hole of the Mounting Bracket [ITEM B] and into the side of the frame, leaving loose for now.
6. Thread the rear bolt [ITEM C] through the bottom of the Mounting Bracket [ITEM B] and into the bottom of the frame until snug but not tight.
7. Thread the front bolt [ITEM C] through the bottom of the Mounting Bracket [ITEM B] and into the bottom of the frame. Tighten all bolts securely. Torque to 25 Nm.
8. Repeat steps 3 through 7 on the passenger side of the vehicle.
9. If the rear wheels were removed you can reinstall them and torque wheel nuts to manufacturers specifications.
10. Raise the vehicle and remove the safety jack stands and carefully lower vehicle and remove chocks from the wheels.
11. Register the warranty for your SuperSprings International part. A warranty card can be found in the box your part came in.

Part Number: SSR-634-40/47

Product Line: SUMOSPRINGS REAR

Page 2

Questions or Concerns?

Scan here:



or visit:
superspringsinternational.com

SAFETY NOTICE: We recommend installation be done by a professional or persons with sound mechanical knowledge.

WARNING: These instructions are a general guide for installation. SuperSprings International (SSI) assumes no liability for the actual installation process. Consumers and installers should apply common automotive safety practices when raising and working on any vehicle. **Do not put yourself in a position where, if the vehicle were to move unexpectedly, you may be injured.** SSI's products are designed to improve vehicle ride quality. Do not load any vehicle beyond the manufacturer's specifications.

Never exceed the manufacturer's Gross Vehicle Rating (GVWR) located on your vehicles identification tag.

BEFORE INSTALLATION: Ensure the vehicle is on a hard level surface, the parking brake is ON, with the ignition OFF, and place chocks in front of and behind the tires to prevent the vehicle from moving.

DURING AND/OR AFTER INSTALLATION: Ensure emergency brake cables are not touching the SSI products. Secure any cables out of the way with zip ties or by re-routing. Ensure all A/C lines, brake cables, and frame are clear of contact or interference.

REV. 1.01 | MAR 2025