

PART NUMBER

SSR-219-54



BEFORE YOU BEGIN

PRIMARY APPLICATIONS

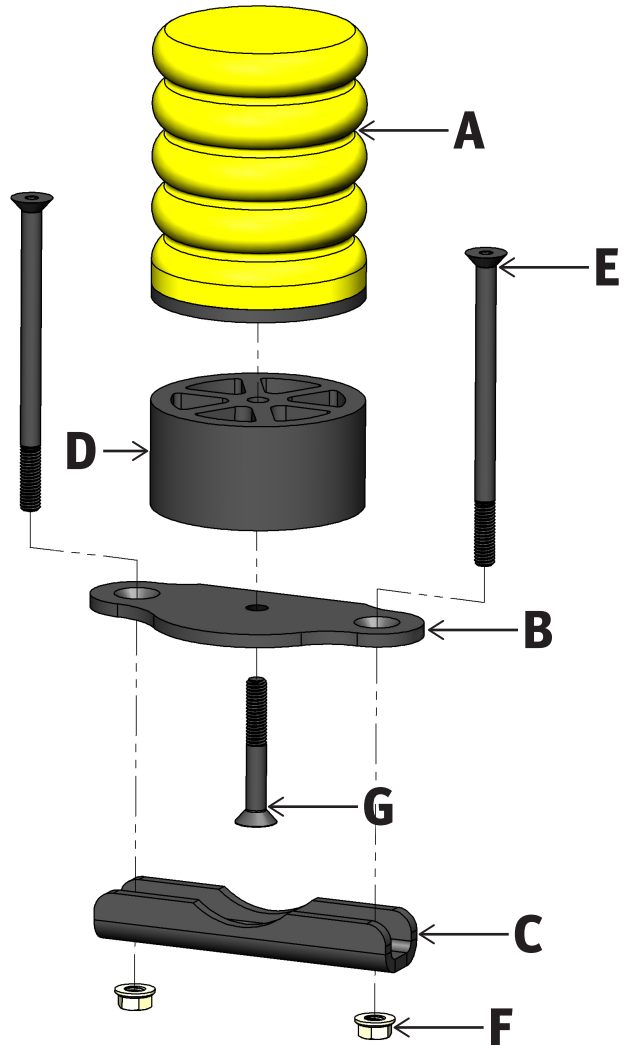
- > Chevrolet Silverado 4500 4 X 2 & 4 X 4 (2019 - present)
- > Chevrolet Silverado 5500 4 X 2 & 4 X 4 (2019 - present)
- > Chevrolet Silverado 6500 4 X 2 & 4 X 4 (2019 - present)
- > International CV 4 X 2 & 4 X 4 (2019 - present)

PARTS LIST

Item	Part #	Description	QTY
A	511404-38	SumoSprings Yellow -54	2
B	512060	Mounting Bracket	2
C	512081	Axle Strap	2
D	512118	2" Spacer	2
E	512289	3/8-16 x 6" FHCS	4
F	512302	3/8-16 Locking Flange Nut	4
G	512277	3/8-16 x 2 3/4" FHCS	2

TOOLS REQUIRED

- > Floor Jack
- > Jack Stands
- > Wheel Chocks
- > 9/16 Wrench or Ratchet and Socket
- > 7/32 Allen Key



DRIVER SIDE (PASSENGER SIDE SIMILAR)

Part Number: SSR-219-54

Product Line: SUMOSPRINGS REAR

Page 1

Questions or Concerns?

Scan here:



or visit:
superspringsinternational.com

SAFETY NOTICE: We recommend installation be done by a professional or persons with sound mechanical knowledge.

WARNING: These instructions are a general guide for installation. SuperSprings International (SSI) assumes no liability for the actual installation process. Consumers and installers should apply common automotive safety practices when raising and working on any vehicle. **Do not put yourself in a position where, if the vehicle were to move unexpectedly, you may be injured.** SSI's products are designed to improve vehicle ride quality. Do not load any vehicle beyond the manufacturer's specifications.

Never exceed the manufacturer's Gross Vehicle Rating (GVWR) located on your vehicles identification tag.

BEFORE INSTALLATION: Ensure the vehicle is on a hard level surface, the parking brake is ON, with the ignition OFF, and place chocks in front of and behind the tires to prevent the vehicle from moving.

DURING AND/OR AFTER INSTALLATION: Ensure emergency brake cables are not touching the SSI products. Secure any cables out of the way with zip ties or by re-routing. Ensure all A/C lines, brake cables, and frame are clear of contact or interference.

REV. 1.01 | SEP 2023

PART NUMBER

SSR-219-54



INSTALLATION

1. Park the vehicle on a hard, level surface and engage the emergency brake. Place chocks in front and behind wheels to prevent rolling. Observe all safety precautions and wear safety glasses.
2. Raise rear of vehicle allowing the axle to hang freely. Support the frame using safety jack stands.
3. Starting on the driver side, add a drop of Blue Thread Locker to the 3/8-16 x 2 3/4" FHCS [ITEM G] and attach the SumoSPring [ITEM A] and the 2" Spacer [ITEM D] to the Mounting Bracket [ITEM B] per the diagram.
4. Place the assembly on top of axle housing so that it is centered below the frame rail. Be sure that the flat edge of the mounting plate is inboard, away from the wheel.
5. Insert the two 3/8-16 x 6" FHCS [ITEM E] down through the bracket. One in front of the axle and one behind.
6. Install the Axle Strap [ITEM C] below the axle on the two bolts with the U shape facing up and secure with the 3/8" Locking Flange Nuts [ITEM F].
7. Repeat steps 3 through 6 on the passenger side of the vehicle.
8. Raise the vehicle, remove the safety jack stands, and carefully lower vehicle to the ground. Remove the chocks in front and back of the rear wheels.
9. Register the warranty for your SuperSprings International part. A warranty card can be found in the box your part came in.

Part Number: SSR-219-54

Product Line: SUMOSPRINGS REAR

Page 2

Questions or Concerns?

Scan here:



or visit:
superspringsinternational.com

SAFETY NOTICE: We recommend installation be done by a professional or persons with sound mechanical knowledge.

WARNING: These instructions are a general guide for installation. SuperSprings International (SSI) assumes no liability for the actual installation process. Consumers and installers should apply common automotive safety practices when raising and working on any vehicle. **Do not put yourself in a position where, if the vehicle were to move unexpectedly, you may be injured.** SSI's products are designed to improve vehicle ride quality. Do not load any vehicle beyond the manufacturer's specifications.

Never exceed the manufacturer's Gross Vehicle Rating (GVWR) located on your vehicles identification tag.

BEFORE INSTALLATION: Ensure the vehicle is on a hard level surface, the parking brake is ON, with the ignition OFF, and place chocks in front of and behind the tires to prevent the vehicle from moving.

DURING AND/OR AFTER INSTALLATION: Ensure emergency brake cables are not touching the SSI products. Secure any cables out of the way with zip ties or by re-routing. Ensure all A/C lines, brake cables, and frame are clear of contact or interference.

REV. 1.01 | SEP 2023