

PART NUMBER

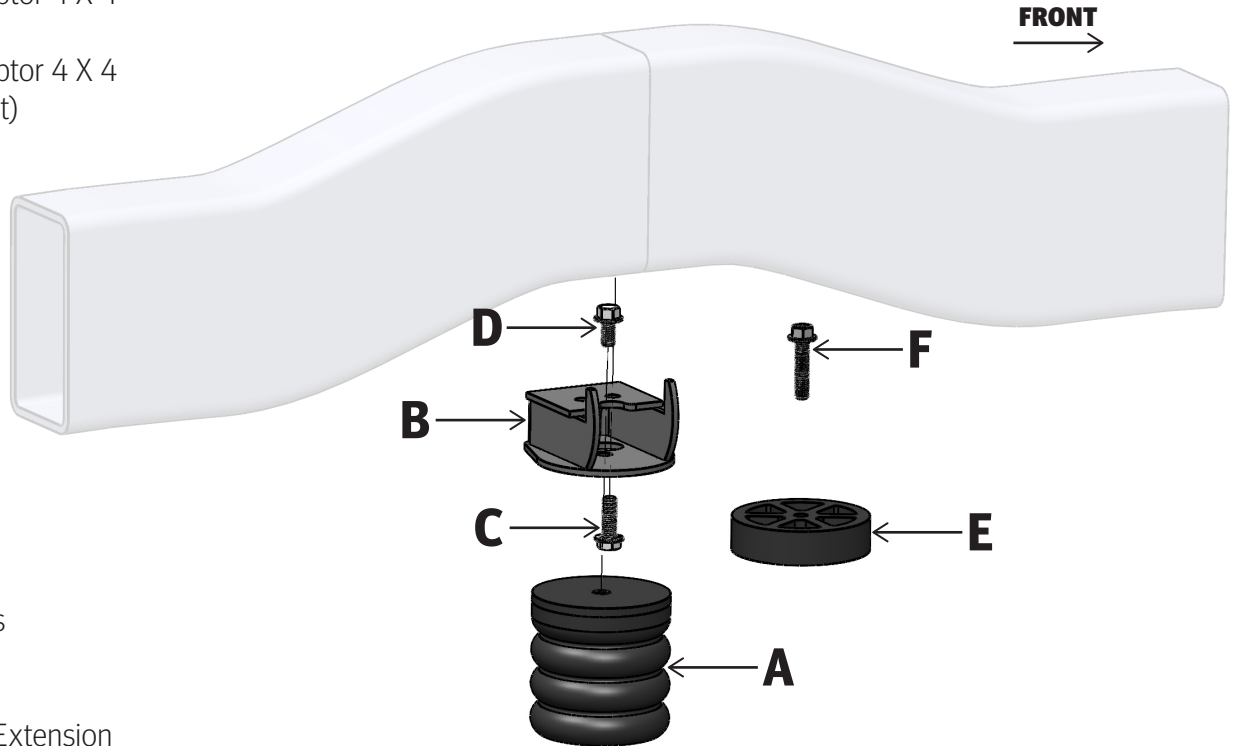
SSR-142-47



BEFORE YOU BEGIN

PRIMARY APPLICATIONS

- > Ford F-150 Raptor 4 X 4 (2010 - 2014)
- > Ford F-150 Raptor 4 X 4 (2017 - present)



TOOLS REQUIRED

- > Floor Jack
- > Jack Stands
- > Wheel Chocks
- > 13mm Socket
- > 15mm Socket
- > Ratchet with Extension
- > 9/16" Wrench

DRIVER SIDE (PASSENGER SIDE SIMILAR)

PARTS LIST

Item	Part #	Description	QTY
A	511411	SumoSprings Black -47	2
B	512114	Mounting Bracket	2
C	512312	M10-1.5 x 30mm Flange Bolt	2
D	512207	3/8-16 x 3/4" Flange Bolt	2
E	512117	1" Spacer	2
F	512274	3/8 x 1 3/4" Flange Bolt	2

Part Number: SSR-142-47

Product Line: SUMOSPRINGS REAR

Page 1

Questions or Concerns?

Scan here:



or visit:
superspringsinternational.com

SAFETY NOTICE: We recommend installation be done by a professional or persons with sound mechanical knowledge.

WARNING: These instructions are a general guide for installation. SuperSprings International (SSI) assumes no liability for the actual installation process. Consumers and installers should apply common automotive safety practices when raising and working on any vehicle. **Do not put yourself in a position where, if the vehicle were to move unexpectedly, you may be injured.** SSI's products are designed to improve vehicle ride quality. Do not load any vehicle beyond the manufacturer's specifications.

Never exceed the manufacturer's Gross Vehicle Rating (GVWR) located on your vehicles identification tag.

BEFORE INSTALLATION: Ensure the vehicle is on a hard level surface, the parking brake is ON, with the ignition OFF, and place chocks in front of and behind the tires to prevent the vehicle from moving.

DURING AND/OR AFTER INSTALLATION: Ensure emergency brake cables are not touching the SSI products. Secure any cables out of the way with zip ties or by re-routing. Ensure all A/C lines, brake cables, and frame are clear of contact or interference.

REV. 2.01 | SEP 2023

PART NUMBER

SSR-142-47



INSTALLATION

1. Park vehicle on level hard surface. Engage emergency brake. Place chocks in front and behind front wheels to prevent rolling. Observe all safety precautions and wear safety glasses.
2. Raise rear of vehicle allowing the axle to hang freely. Support the frame using safety jack stands.
3. Starting on the driver side, remove existing factory bump stop assembly by removing the 10mm bolt in the center of the bump stop using a 13mm socket and ratchet with extension.
4. Remove SumoSprings assembly from box and disassemble components.
5. When installing the SumoSprings use a drop or two of blue thread locker on the threads of each bolt.
6. Using the supplied M10-1.5 x 30mm Bolt [ITEM C], attach the Mounting Bracket [ITEM B] to frame in the same location as the factory bump stop as shown in the diagram. Be sure the locating-tangs are on the inside of the frame and use the forward bolt hole in the bracket, to center the SumoSprings over the axle.
7. Attach the SumoSprings [ITEM A] to bracket using the 3/8-16 x 3/4" Bolt [ITEM D] as seen in the diagram. If more preload is required, install the 1" Spacer [ITEM E] between the SumoSprings and the bracket using the 3/8-16 x 1 3/4" Bolt [ITEM F].
8. Repeat steps 3 through 7 on the passenger side of the vehicle.
9. Jack up vehicle, remove safety jack stands.
10. Carefully lower vehicle to the hard surface. Remove the chocks in front and back of the front wheels.
11. Register the warranty for your SuperSprings International part. A warranty card can be found in the box your part came in.

Part Number: SSR-142-47

Product Line: SUMOSPRINGS REAR

Page 2

Questions or Concerns?

Scan here:



or visit:
superspringsinternational.com

SAFETY NOTICE: We recommend installation be done by a professional or persons with sound mechanical knowledge.

WARNING: These instructions are a general guide for installation. SuperSprings International (SSI) assumes no liability for the actual installation process. Consumers and installers should apply common automotive safety practices when raising and working on any vehicle. **Do not put yourself in a position where, if the vehicle were to move unexpectedly, you may be injured.** SSI's products are designed to improve vehicle ride quality. Do not load any vehicle beyond the manufacturer's specifications.

Never exceed the manufacturer's Gross Vehicle Rating (GVWR) located on your vehicles identification tag.

BEFORE INSTALLATION: Ensure the vehicle is on a hard level surface, the parking brake is ON, with the ignition OFF, and place chocks in front of and behind the tires to prevent the vehicle from moving.

DURING AND/OR AFTER INSTALLATION: Ensure emergency brake cables are not touching the SSI products. Secure any cables out of the way with zip ties or by re-routing. Ensure all A/C lines, brake cables, and frame are clear of contact or interference.

REV. 2.01 | SEP 2023