

PART NUMBER

SSF-503-40



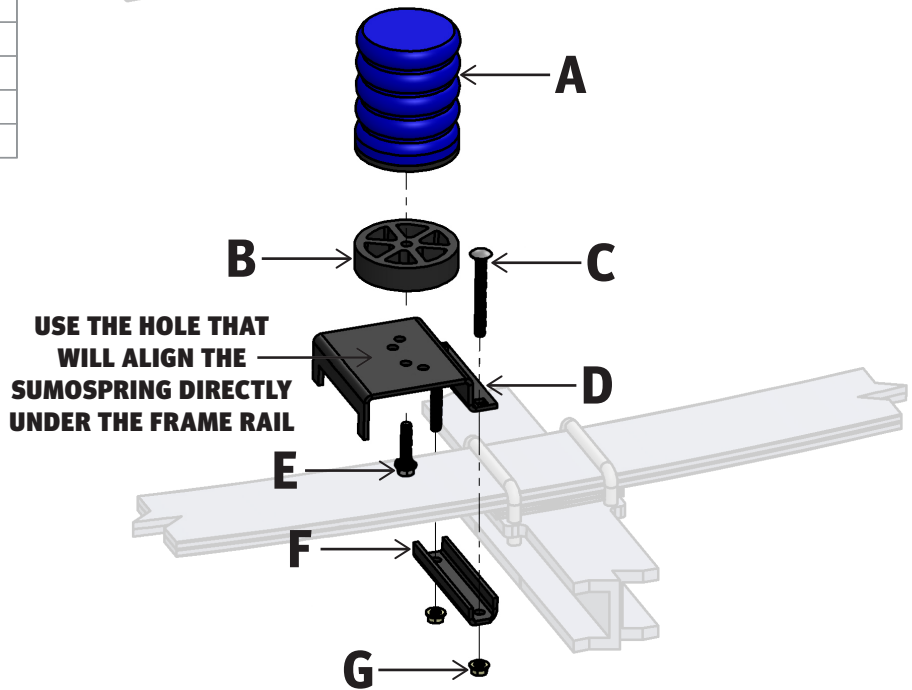
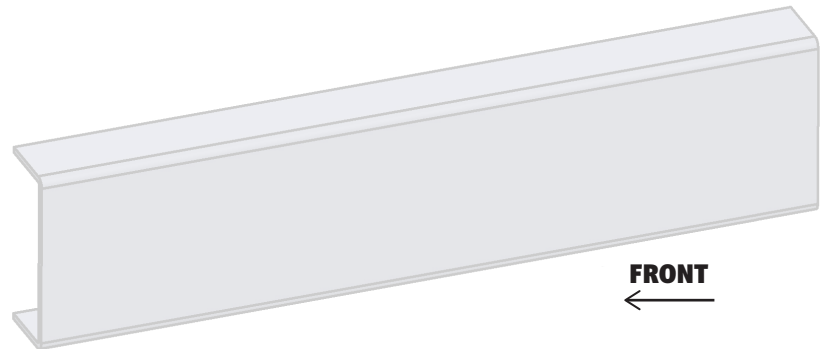
BEFORE YOU BEGIN

PRIMARY APPLICATIONS

- > Freightliner M2 106
(2001 - 2020)

PARTS LIST

Item	Part #	Description	QTY
A	511440-38	SumoSprings Blue -40	2
B	512117	1" Spacer	2
C	512211	3/8-16 x 3 1/2" Carriage Bolt	4
D	512110	Mounting Bracket	2
E	512274	3/8 x 1 3/4" Flange Bolt	2
	512207	3/8 x 3/4" Flange Bolt	2
F	512042	Clamp Bracket	2
G	512302	3/8" Locking Flange Nut	4



TOOLS REQUIRED

- > Floor Jack
- > Jack Stands
- > Wheel Chocks
- > 9/16 Wrench

DRIVER SIDE (PASSENGER SIDE SIMILAR)

Part Number: SSF-503-40

Product Line: SUMOSPRINGS FRONT

Page 1

Questions or Concerns?

Scan here:



or visit:
superspringsinternational.com

SAFETY NOTICE: We recommend installation be done by a professional or persons with sound mechanical knowledge.

WARNING: These instructions are a general guide for installation. SuperSprings International (SSI) assumes no liability for the actual installation process. Consumers and installers should apply common automotive safety practices when raising and working on any vehicle. **Do not put yourself in a position where, if the vehicle were to move unexpectedly, you may be injured.** SSI's products are designed to improve vehicle ride quality. Do not load any vehicle beyond the manufacturer's specifications.

Never exceed the manufacturer's Gross Vehicle Rating (GVWR) located on your vehicles identification tag.

BEFORE INSTALLATION: Ensure the vehicle is on a hard level surface, the parking brake is ON, with the ignition OFF, and place chocks in front of and behind the tires to prevent the vehicle from moving.

DURING AND/OR AFTER INSTALLATION: Ensure emergency brake cables are not touching the SSI products. Secure any cables out of the way with zip ties or by re-routing. Ensure all A/C lines, brake cables, and frame are clear of contact or interference.

REV. 3.0 | OCT 2023

PART NUMBER

SSF-503-40



INSTALLATION

1. Park the vehicle on a hard, level surface and engage the emergency brake. Place chocks in front and behind wheels to prevent rolling. Observe all safety precautions and wear safety glasses.
 2. Raise front of vehicle allowing the axle to hang freely. Support the frame using safety jack stands.
 3. Starting on the driver side, attach the SumoSprings [ITEM A] and 1" Spacer [ITEM B] to the Mounting Bracket [ITEM D] using the 3/8" x 1 3/4" Flange Bolt [ITEM E]. Use mounting hole that will align the SumoSpring directly under the frame rail by test fitting the bracket/SumoSpring assembly before final tightening.
- NOTE:** If less preload on the SumoSpring is desired, remove the 1" Spacer [ITEM B] and use the 3/8-16 x 3/4" Flange Bolt [ITEM E] to attach the SumoSpring [ITEM A] to the Mounting Bracket [ITEM D].
4. Torque the bolt to 25 ft. lbs.
 5. Place the Mounting Bracket with attached SumoSprings on top of the factory leaf pack just ahead of the axle. Be sure to place the flange for the mounting bolts toward the rear and the notch for the leaf spring to the front.
 6. Place the two 3/8-16 x 3 1/2" Carriage Bolts [ITEM C] through the holes in the Mounting Bracket.
 7. Slide the Clamp Bracket [ITEM F] over the ends of the carriage bolts ensuring that the "U" shape is facing up.
 8. Fasten securely using the two 3/8" Locking Flange Nuts [ITEM G]. Tighten by hand so they are tight but do not over-tighten causing the bracket to bend.
 9. Repeat steps 3 through 8 on the passenger side of the vehicle.
 10. Jack up vehicle, remove safety jack stands.
 11. Carefully lower vehicle to the hard surface. Remove the chocks in front and back of the rear wheels.
 12. Register the warranty for your SuperSprings International part. A warranty card can be found in the box your part came in.

Part Number: SSF-503-40

Product Line: SUMOSPRINGS FRONT

Page 2

Questions or Concerns?

Scan here:



or visit:
superspringsinternational.com

SAFETY NOTICE: We recommend installation be done by a professional or persons with sound mechanical knowledge.

WARNING: These instructions are a general guide for installation. SuperSprings International (SSI) assumes no liability for the actual installation process. Consumers and installers should apply common automotive safety practices when raising and working on any vehicle. **Do not put yourself in a position where, if the vehicle were to move unexpectedly, you may be injured.** SSI's products are designed to improve vehicle ride quality. Do not load any vehicle beyond the manufacturer's specifications.

Never exceed the manufacturer's Gross Vehicle Rating (GVWR) located on your vehicles identification tag.

BEFORE INSTALLATION: Ensure the vehicle is on a hard level surface, the parking brake is ON, with the ignition OFF, and place chocks in front of and behind the tires to prevent the vehicle from moving.

DURING AND/OR AFTER INSTALLATION: Ensure emergency brake cables are not touching the SSI products. Secure any cables out of the way with zip ties or by re-routing. Ensure all A/C lines, brake cables, and frame are clear of contact or interference.

REV. 3.0 | OCT 2023