

PART NUMBER

SSF-408-47



BEFORE YOU BEGIN

PRIMARY APPLICATIONS

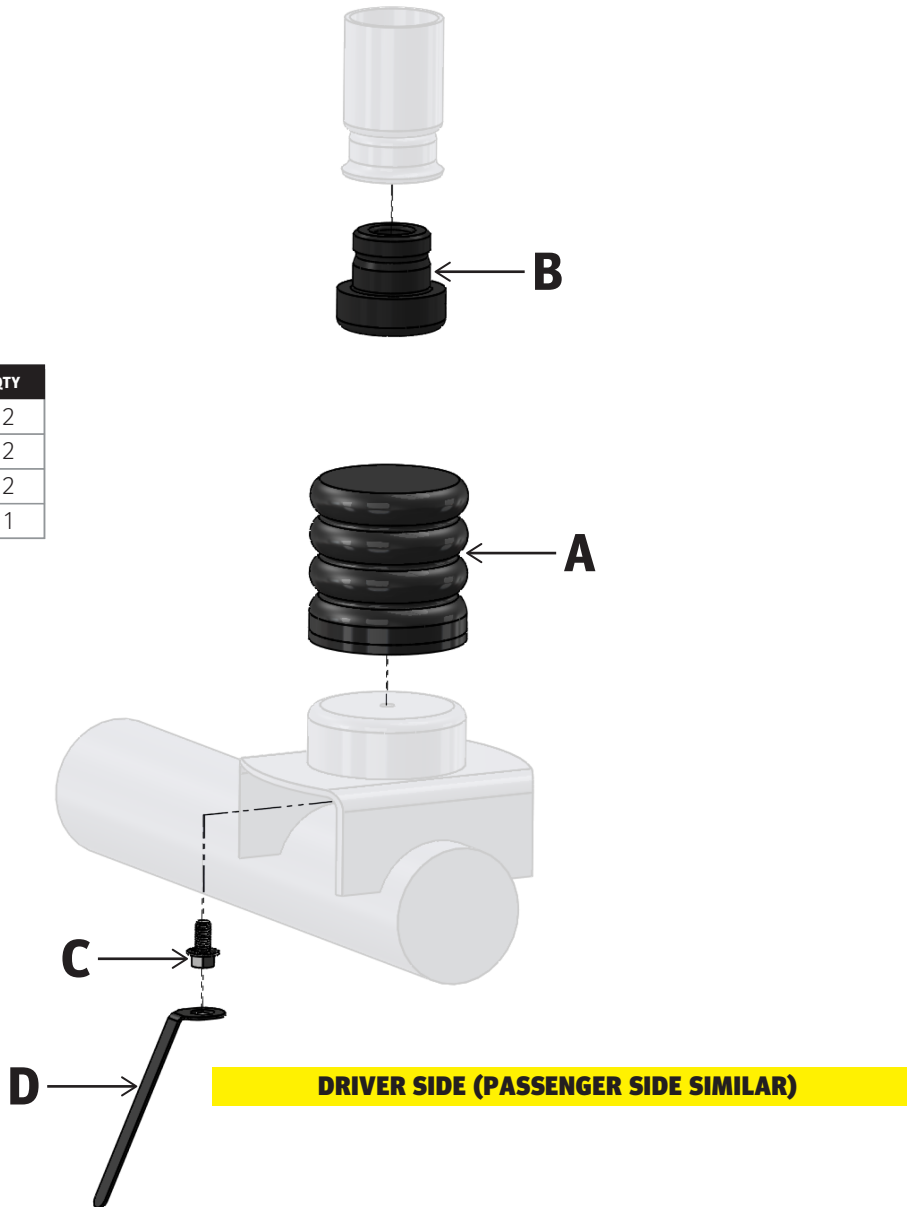
- > Jeep Wrangler JK 4 X 4 (2007 - 2017)
- > Jeep Wrangler JL 4 X 4 (2018 - present)
- > Jeep Gladiator 4 X 4 (2020 - present)

PARTS LIST

Item	Part #	Discription	QTY
A	511486	SumoSprings Black -47	2
B	512157	Jeep Urethane Bumper	2
C	512207	3/8-16 x 3/4" Serrated Flange Hex Bolt	2
D	121156	9/16" Installation Wrench	1

TOOLS REQUIRED

- > Floor Jack
- > Jack Stands
- > Wheel Chocks
- > Coil Clamps - Optional



Part Number: SSF-408-47

Product Line: SUMOSPRINGS FRONT

Page 1

Questions or Concerns?

Scan here:



or visit:
superspringsinternational.com

SAFETY NOTICE: We recommend installation be done by a professional or persons with sound mechanical knowledge.

WARNING: These instructions are a general guide for installation. SuperSprings International (SSI) assumes no liability for the actual installation process. Consumers and installers should apply common automotive safety practices when raising and working on any vehicle. **Do not put yourself in a position where, if the vehicle were to move unexpectedly, you may be injured.** SSI's products are designed to improve vehicle ride quality. Do not load any vehicle beyond the manufacturer's specifications.

Never exceed the manufacturer's Gross Vehicle Rating (GVWR) located on your vehicles identification tag.

BEFORE INSTALLATION: Ensure the vehicle is on a hard level surface, the parking brake is ON, with the ignition OFF, and place chocks in front of and behind the tires to prevent the vehicle from moving.

DURING AND/OR AFTER INSTALLATION: Ensure emergency brake cables are not touching the SSI products. Secure any cables out of the way with zip ties or by re-routing. Ensure all A/C lines, brake cables, and frame are clear of contact or interference.

REV. 1.0 | OCT 2024

PART NUMBER

SSF-408-47



INSTALLATION

1. Park the vehicle on a hard, level surface and engage the emergency brake. Place chocks in front and behind the rear wheels to prevent rolling. Observe all safety precautions and wear safety glasses.
 2. Raise the front of the Jeep, allowing the axle to hang freely. Support the frame using safety jack stands and remove the front wheels.
 3. Disconnect the sway bar and shocks from the axle, then disconnect the draglink from the pitman arm.
 4. Starting on the driver side, lower the axle far enough to remove the front coil so that you can remove the existing factory bump stop from the frame. Coil clamps may help during this process but are optional.
 5. Install the Urethane Bumper [ITEM B] into the bump stop mounting cup on frame by applying upward force while twisting the bumper at an angle.
 6. Place SumoSpring [ITEM A] inside the coil with the metal plate facing down, with the SumoSpring inside the coil, install the coil onto the coil contact pad. Ensure the SumoSpring is loose/free moving inside of the coil during install.
 7. Apply some blue thread locker to the threads of the 3/8" Serrated Flange Hex Bolt [ITEM C], and place the head into the 9/16" Installation Wrench [ITEM D] with the threads facing up, and the handle of the wrench pointing down. Insert the bolt up through the bottom spring perch hole and begin threading/tightening the SumoSpring [ITEM A] onto it, and tighten securely.
- NOTE:** If there is no pre-existing hole for the 3/8-16 x 3/4" Serrated Flange Hex Bolt [ITEM C], mark the center of the coil spring perch and drill a 3/8" hole.
8. Repeat steps 4 through 7 on the passenger side of the vehicle.
 9. Reattach the draglinks, shocks, and sway bar.
 10. Raise the vehicle to allow room to remove the safety jack stands. Reinstall the front wheels and torque wheel nuts to manufacturers specifications.
 11. Carefully lower vehicle to the hard surface and remove the chocks from the wheels.
 12. Register the warranty for your SuperSprings International part. A warranty card can be found in the box your part came in.

Part Number: SSF-408-47

Product Line: SUMOSPRINGS FRONT

Page 2

Questions or Concerns?

Scan here:



or visit:
superspringsinternational.com

SAFETY NOTICE: We recommend installation be done by a professional or persons with sound mechanical knowledge.

WARNING: These instructions are a general guide for installation. SuperSprings International (SSI) assumes no liability for the actual installation process. Consumers and installers should apply common automotive safety practices when raising and working on any vehicle. **Do not put yourself in a position where, if the vehicle were to move unexpectedly, you may be injured.** SSI's products are designed to improve vehicle ride quality. Do not load any vehicle beyond the manufacturer's specifications.

Never exceed the manufacturer's Gross Vehicle Rating (GVWR) located on your vehicles identification tag.

BEFORE INSTALLATION: Ensure the vehicle is on a hard level surface, the parking brake is ON, with the ignition OFF, and place chocks in front of and behind the tires to prevent the vehicle from moving.

DURING AND/OR AFTER INSTALLATION: Ensure emergency brake cables are not touching the SSI products. Secure any cables out of the way with zip ties or by re-routing. Ensure all A/C lines, brake cables, and frame are clear of contact or interference.

REV. 1.0 | OCT 2024